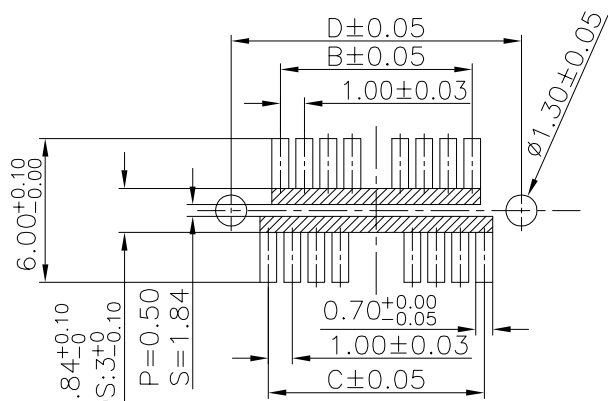
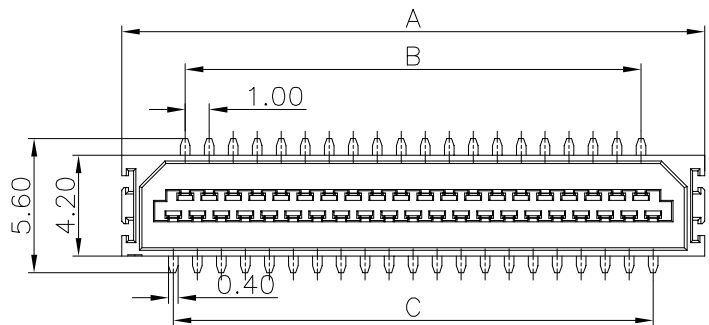


The product using material and processing must conform to the "WI-PZ-001"HSF technical standard control requirements

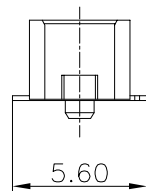
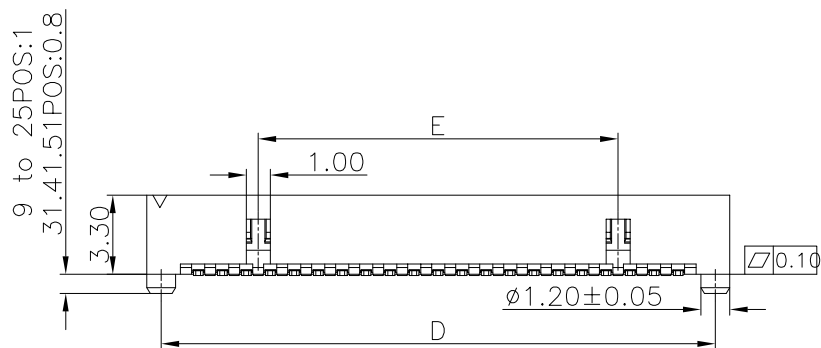
RoHS+HF



RECOMMENDED PCB LAYOUT(TOP VIEW)

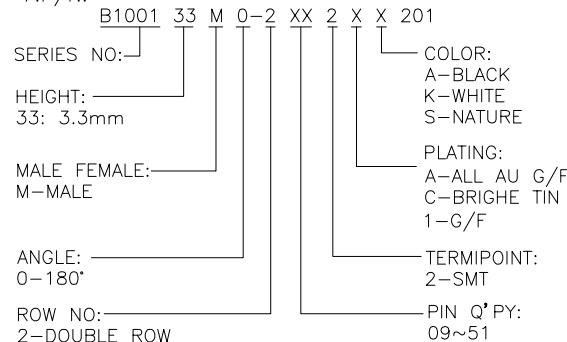
9~25POS:1.84^{+0.10}₋₀
31.41.51POS:3⁺⁰_{-0.10}

P=0.50
S=1.84



NOTE:

- 1.MATERIAL SPECIFICATION:
 - 1-1.HOUSING:LCP, UL94V-0 COLOUR: WHITE
 - 1-2.CONTACTS:PHOSPHOR BRONZE
- 2.PLATING SPECIFICATION:
 - 2-1.CONTACTS:
 - SN PLATED OR AU PLATED ON CONTACT AREA.
- 3.MECHANICAL PERFORMANCE:
 - 3-1.INSERTION FORCE: 0.12kgf MAX
 - 3-2.REMOVAL FORCE: 0.08kgf MIN
 - 3-3.DURABILITY: 30 CYCLES.
- 4.ELECTRICAL PERFORMANCE:
 - 4-1. RATED CURRENT : 0.5A
RATED VOLTAGE : 150V AC
 - 4-2.INSULATION RESISTANCE: 500MΩ MIN
CONTACT RESISTANCE : 50mΩ MAX.
 - 4-3.WITHSTANDING VOLTAGE: 250V AC
- 5.ENVIRONMENTAL PERFORMANCE:
 - OPERATING TEMPERATURE: -45°C~+125°C.
- 6.PACKAGE SPEC:REEL
- 7.P/N:

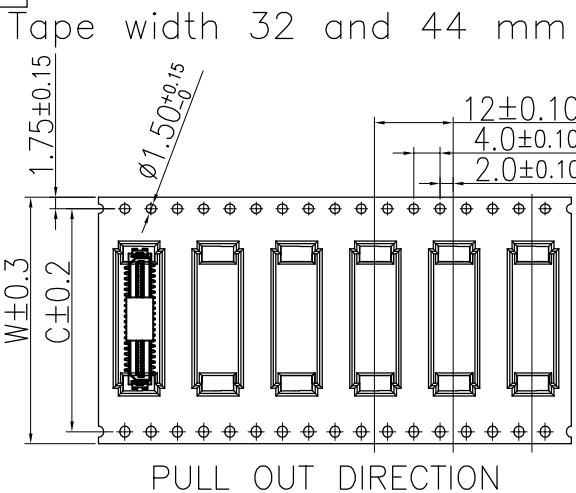
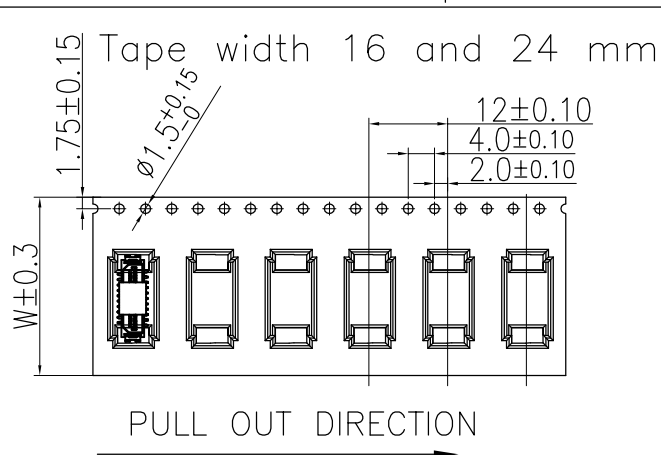


Ordering Information & Dimensions

Circuit	Dimensions(mm)					
	A	B	C	D	E	F
09	8.3	3	4	7.1	10.1	0
11	9.3	4	5	8.1	11.1	0
13	10.3	5	6	9.1	12.1	0
15	11.3	6	7	10.1	13.1	0
17	12.3	7	8	11.1	14.1	0
19	13.3	8	9	12.1	15.1	0
21	14.3	9	10	13.1	16.1	5
23	15.3	10	11	14.1	17.1	6
25	16.3	11	12	15.1	18.1	7
31	19.3	14	15	18.1	21.1	10
41	24.3	19	20	23.1	26.1	15
51	29.3	24	25	28.1	31.1	20

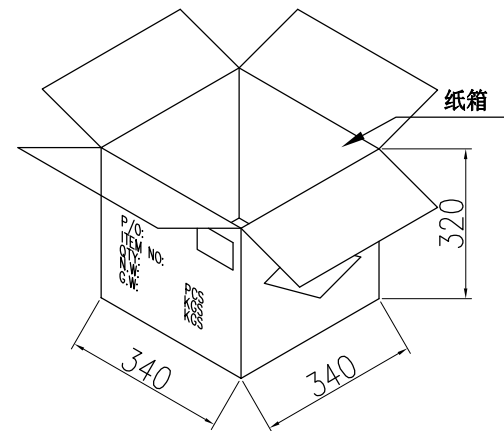
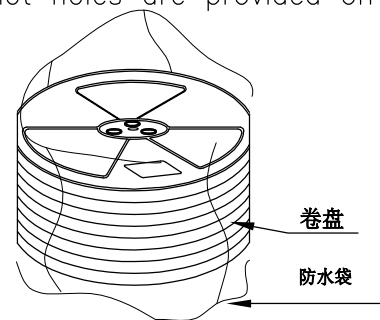
REV.	REVISION RECORD	DATE		GENERAL TOLERANCES		SCALE: 1:1	NAME	DATE	PART.NO:	DWG.NO:	 WanLian Teconology Co., Ltd
A0	NEW RELEASE	21.01.13		LINEAR	ANGLES	APPROVED	Wang_jr	21.01.13	B100133M0-2XX2XX201	ENDE05	
			UNIT:mm	X'REF±6°	DESIGNER	Han_Gao	21.01.13	TITLE:	Board to Board Pitch1.0 H3.3mm 单槽双排		REV: A0
			SIZE: A4	X'X' ±2°	DRAWN	Zijun_Huang	21.01.13	带柱无焊片 SMT型公座		SHEET: 1/2	

The product using material and processing must conform to the "WI-PZ-001"HSF technical standard control requirements

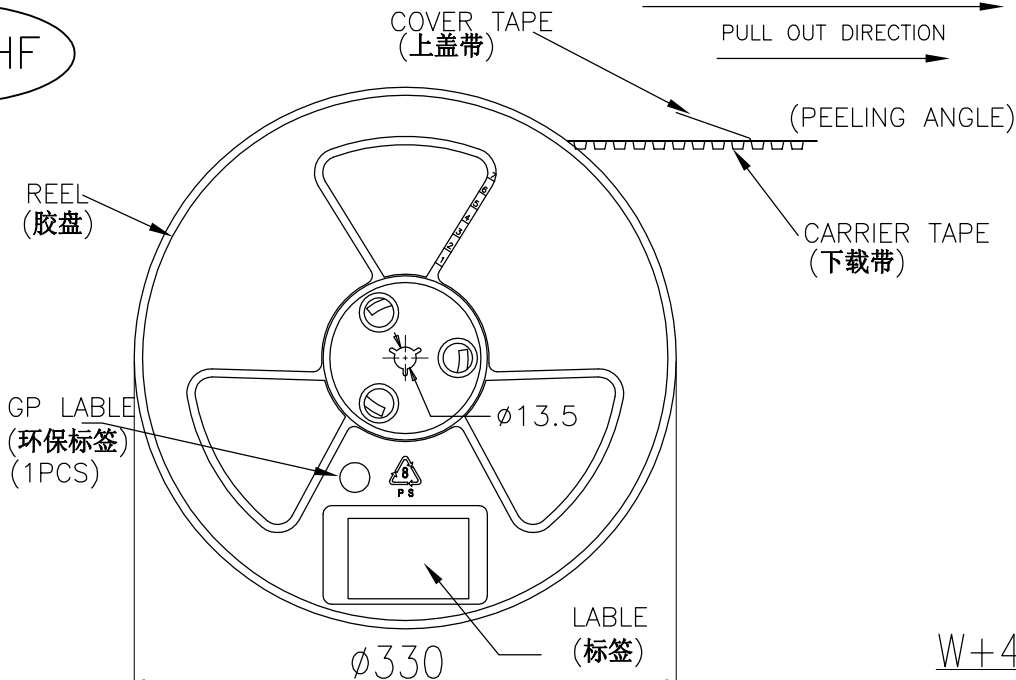


NOTE:

- 1.10 Sprocket hole pitch cumulative tolerance ± 0.20 .
2. Carrier camber is within 1mm in 100mm.
3. Material: black conductive polystyrene alloy.
4. Material Thickness: 0.3 ± 0.05 mm.
5. For tape width (dim W) 16 and 24mm pilot holes are provided on one sides.
For tape width (dim W) 32, 44 and 56mm pilot holes are provided on both sides.



RoHS+HF



Circuit	W	C	PCS /REEL	REEL/CARTON	SUM(PCS)
11~17PIN	24	-	1000	11	11000
19~31PIN	32	28.4	1000	8	8000
41PIN	44	40.4	1000	6	6000

REV.	REVISION RECORD	DATE	GENERAL TOLERANCES		SCALE:	NAME	DATE	PART.NO:	DWG.NO:
A0	NEW RELEASE	21.01.13	LINEAR	ANGLES	1:1	Wang_jr	21.01.13	PACKING DRAW	ENDE05
			0.0±0.35	X'REF±6'	APPROVED	Han_Gao	21.01.13	TITLE:	 万连科技 WanLian Teconology Co., Ltd
			0.00±0.25	X'±3'	DESIGNER	Zijun_Huang	21.01.13	BOARD TO BOARD PITCH1.0 H3.3MM SMT	
			0.000±0.10	X'X' ±2'	DRAWN		21.01.13	MALE REEL PACKING DRAW	
			UNIT:mm						REV: A0
			SIZE: A4						SHEET: 2/2